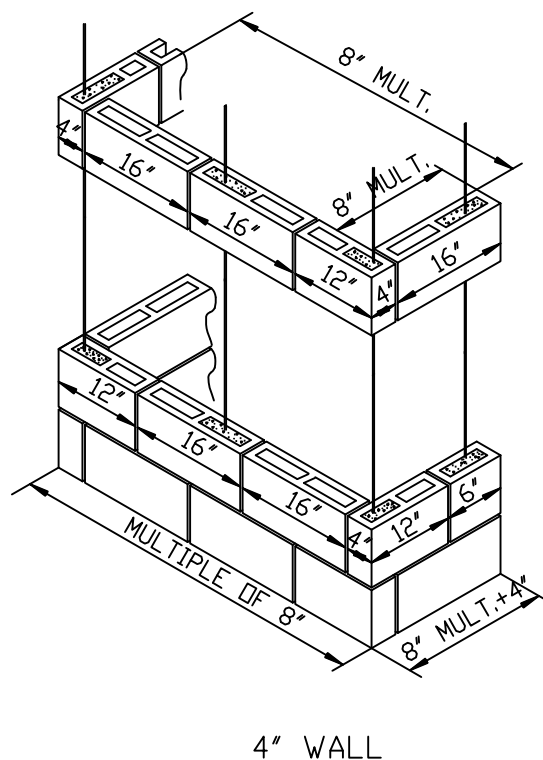
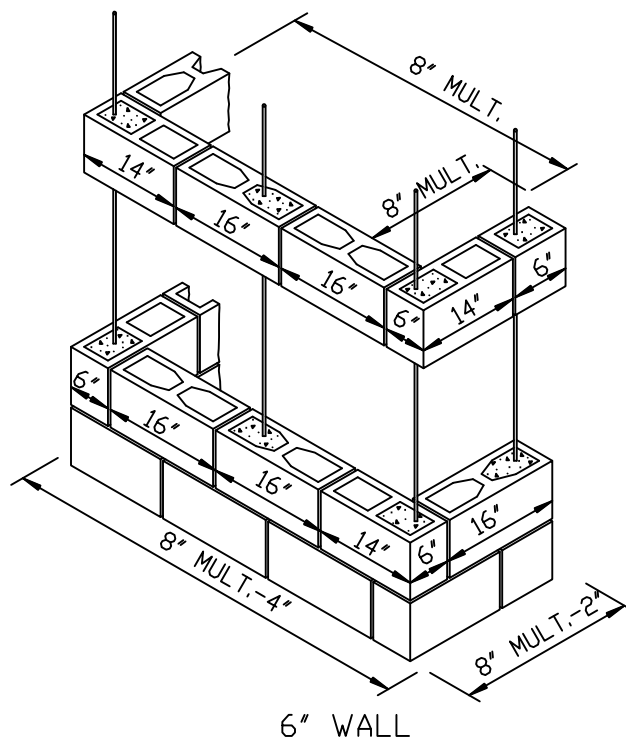
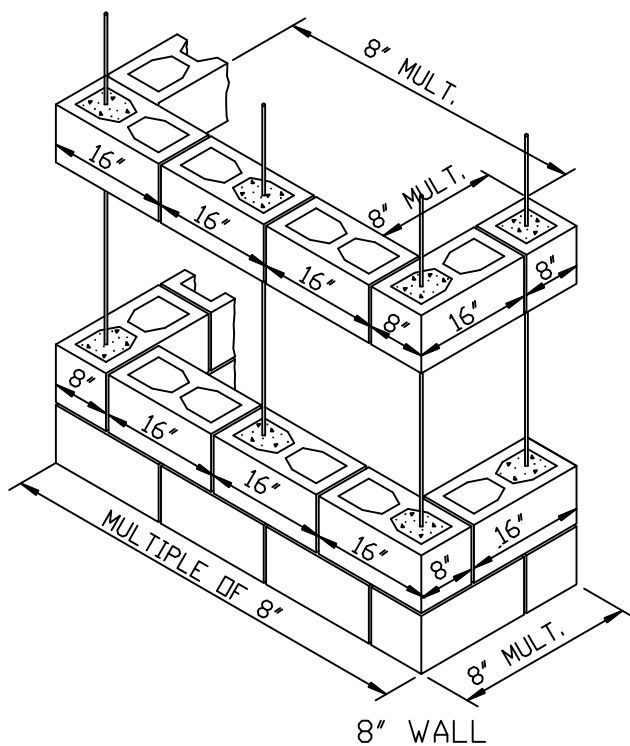


TYPICAL CORNER DETAILS—CONCRETE MASONRY WALLS



THIS DETAIL AS SHOWN IS INTENDED TO ILLUSTRATE A GENERAL CONCEPT OR METHOD OF CONSTRUCTION. DETAILS THAT SHOW DIFFERENT OR MODIFIED CONCEPTS OR METHODS CAN BE OF EQUAL VALIDITY AND SHOULD NOT BE EXCLUDED FROM CONSIDERATION. THIS DETAIL SHALL NOT BE USED FOR CONSTRUCTION WITHOUT THE APPROVAL AND SIGNATURE OF A LICENSED PROFESSIONAL ENGINEER OR ARCHITECT. THE PERSON USING THIS DETAIL SHALL BE RESPONSIBLE FOR ITS COMPLETE DESIGN AND PROPER APPLICATION.